

MIRROR CABINET

INSTRUCTION

MANUAL

GENERAL INFORMATION

- Mirror products are extremely fragile, please transport and handle with care.
- This product should be installed by a licenced electrician.
- Ensure main power is off before installation.

To electrician:

Please ensure a copy of the product instruction manual is left with the end user for future reference.

Thank you on the purchase of our product, we hope you and your family enjoy our new product and consider us for any future project. All of our products have been manufactured under the highest standards of quality and workmanship.

MIRROR CABINET INSTALLATION INSTRUCTION

TOOL

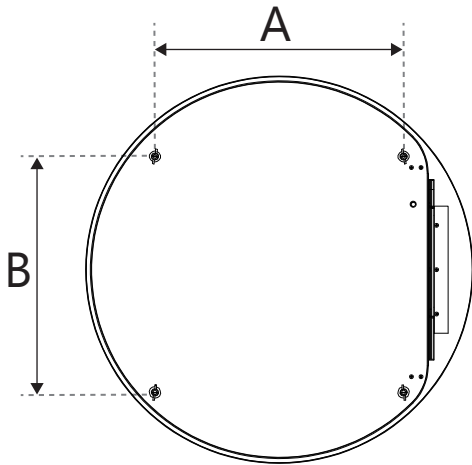


PRODUCT

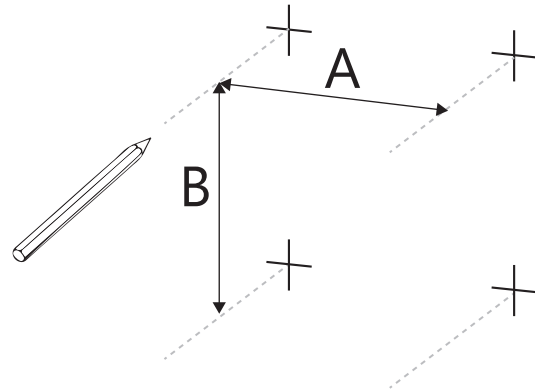


METHOD A

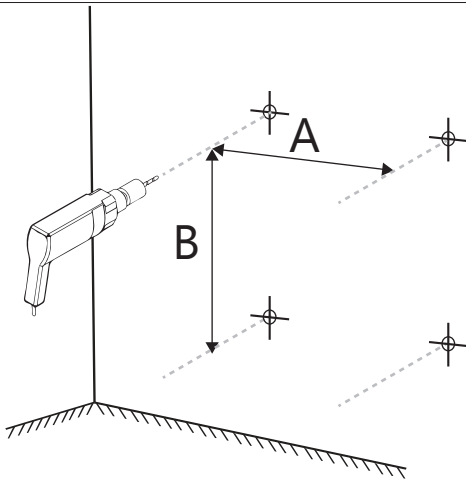
1.



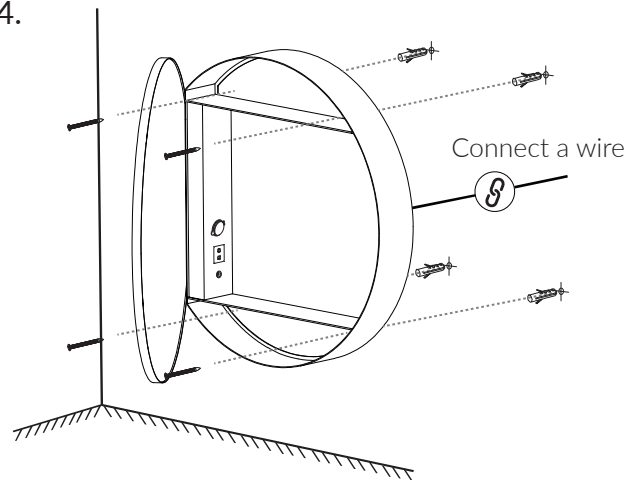
2.



3.



4.



5. This product is manufactured to class I category and must have an earth connection.

Color coding:

L - Live = Brown

N - Neutral = Blue

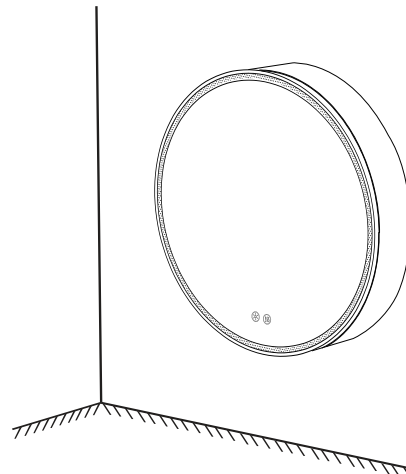
⊕ - Earth = Green & Yellow

Strip wires to a suitable length.
DO NOT connect to a plug
& socket outlet.



IF IN DOUBT CONSULT YOUR ELECTRICIAN

6.



WARNING

Make sure the wires are connected correctly.

MIRROR CABINET INSTALLATION INSTRUCTION

TOOL

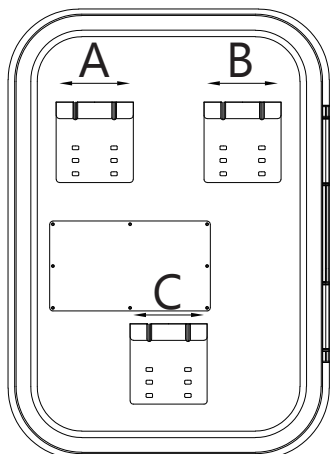


PRODUCT

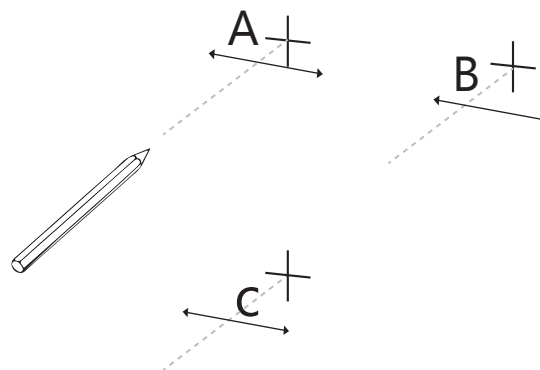


METHOD B

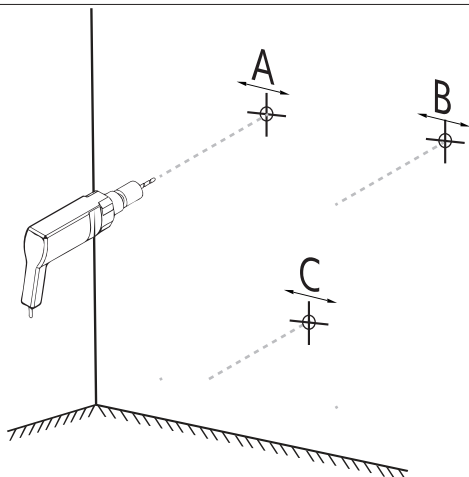
1.



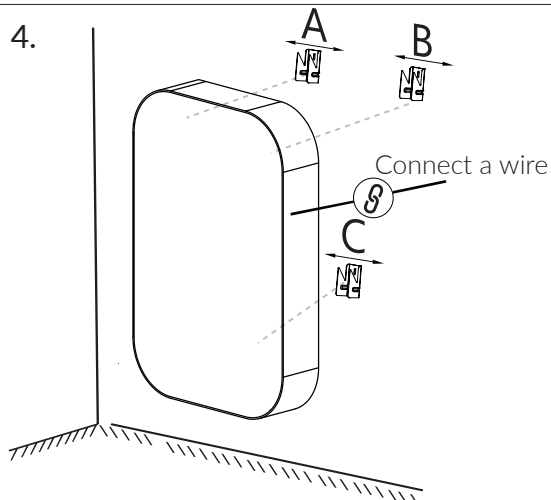
2.



3.



4.



5. This product is manufactured to class I category and must have an earth connection.

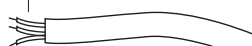
Color coding:

L - Live = Brown

N - Neutral = Blue

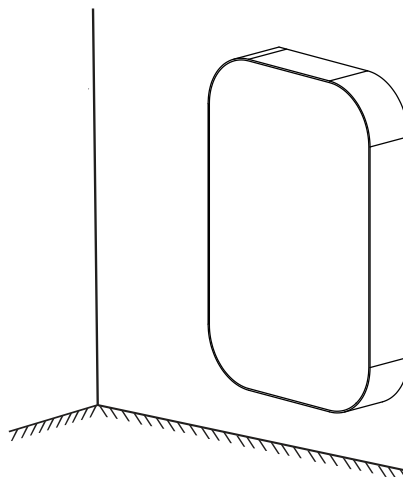
⊕ - Earth = Green & Yellow

Strip wires to a suitable length.
DO NOT connect to a plug
& socket outlet.



IF IN DOUBT CONSULT YOUR ELECTRICIAN

6.

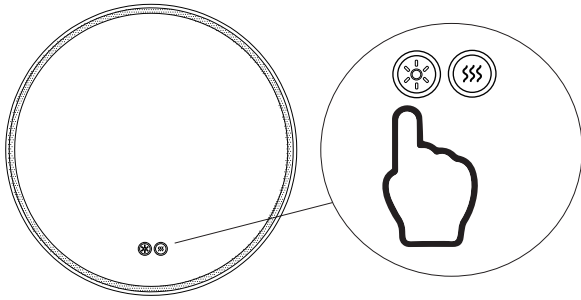


WARNING

Make sure the wires are connected correctly.

OPERATION INSTRUCTION

Touch Sensor



Short press  for light on/off



Long press  for brightness with power-off memory



short press  for defogger

MAINTENANCE AND CLEANING RECOMMENDATION

To avoid damage and optimize your product, please do not use anything abrasive to clean the surface. Cleaning it by rinsing with clean water and drying with a soft cotton cloth or sponge. Clean regularly to prevent the accumulation of dirt and tough stains.